

Door drive & car doors MOD310 QK8 C

Ref : MOD310 QK8 C version 2

Door drive

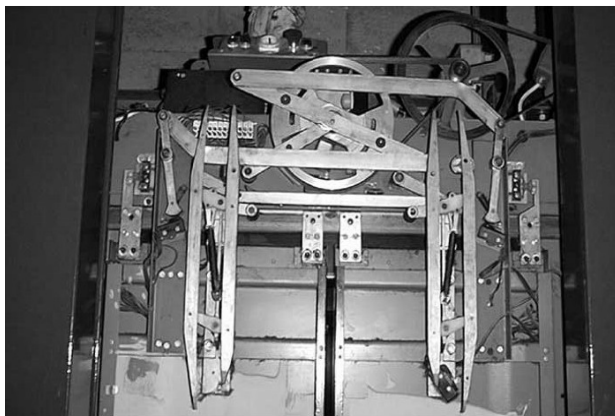
The **FERMATOR** Group factory, Ets **PEIGNEN** are pleased to present a new renovation kit for QKS8 C operators.

Compact and **Sturdy** this new kit will help You renovate your lifts.

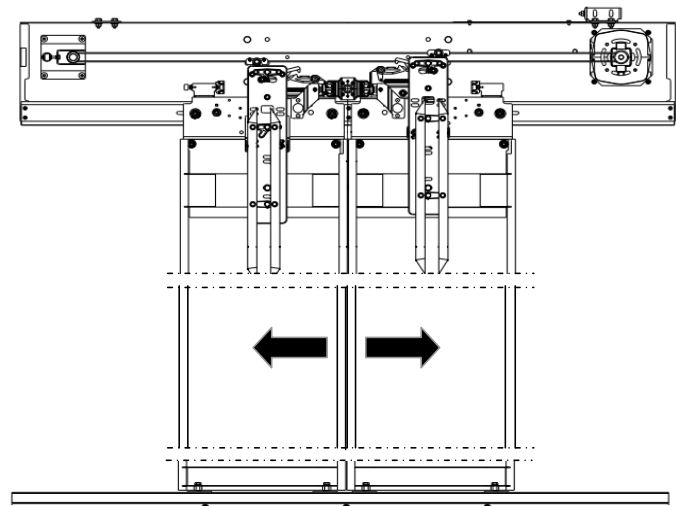
Features

- * Choice of renovation level, **total or partial**
- * **No prior work** required to the car fronts
- * Existing **car fronts** and header **preserved**
- * **Overall dimensions** similar to the original operator
- * **Total compatibility** with existing landing doors
- * Lift returned to service within **48 hours**
- * Latest generation of **VVVF**
- * Total weight of the new cabin door less than **100kg**
- * Flexible and very **adaptable**
- * Drive through a **linear belt**
- * Fewer moving parts
- * Fewer electrical contacts
- * Factory assembled and **100% Quality Control**
- * **Standard** delivery in **11 days** *
- * **Express** delivery in **72 hours** **

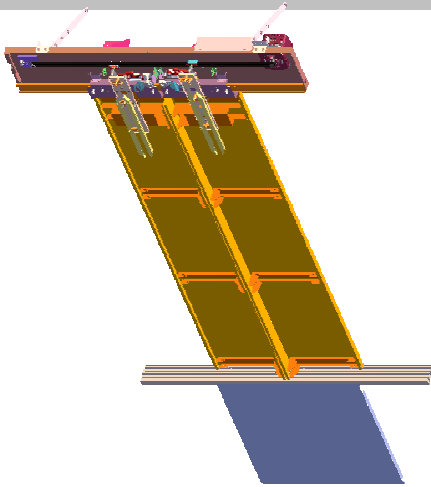
Before



After



DOOR MOD310 QK8 C



Principle: Single rail door drive, 2 panel, central opening. VVVF control. Can be used with the existing door panels or new panels.

Objective: The MOD310 door system replaces existing car doors with QKS8 operators with crank arm, belt or chain driven

STANDARD DIMENSIONS				
BKE	700	800	900	
HKE	1900	2000	2100	

NON STANDARD DIMENSIONS *				
BKE	1000	1100		
HKE	2200	2300	2400	2500

* please consult us

A Complete renovation **B** Partial renovation **C** Express renovation 72 hours chrono *

