

Door drive & car doors MOD310 QK9 C

Ref : MOD310 QK9 C version 1

DOOR DRIVE

MODERNIZATION

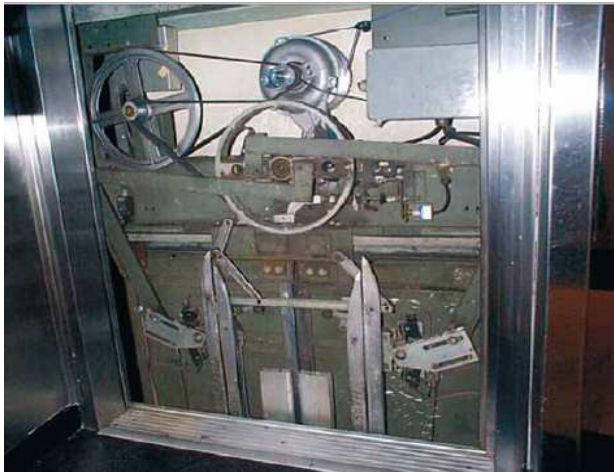
The **FERMATOR** Group factory, **Ets PEIGNEN** are pleased to present a new renovation kit for **QKS9 C** operators.

Compact and **Sturdy** this new kit will help You renovate your lifts.

Features

- * Choice of renovation level, **total or partial**
- * **No prior work** required to the car fronts
- * Existing **car fronts** and header **preserved**
- * **Overall dimensions** similar to the original operator
- * **Total compatibility** with existing landing doors
- * Lift returned to service within **8 hours**
- * Latest generation of **VVVF**
- * Total weight of the new cabin door less than **100kg**
- * Flexible and very **adaptable**
- * Drive through a **linear belt**
- * Fewer moving parts
- * Fewer electrical contacts
- * Factory assembled and **100% Quality Control**
- * **Standard delivery in 11 days** *

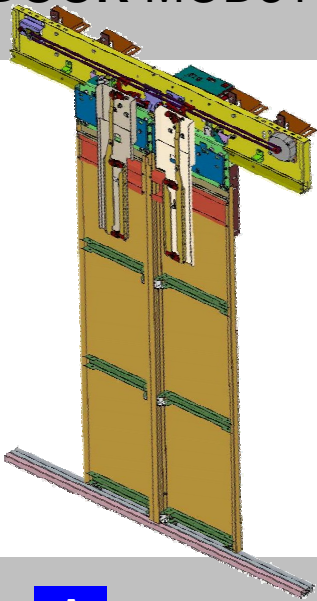
Before



After



DOOR MOD310 QK9 C



Principle: Single rail door drive, 2 panel, central opening. VVVF control. Can be used with the existing door panels or new panels.

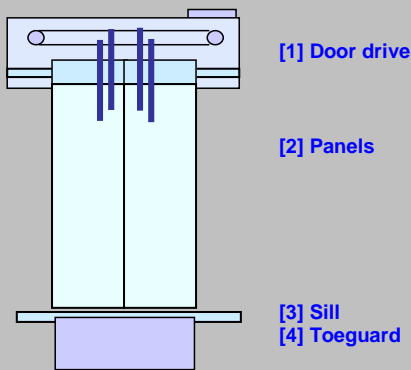
Objective: The MOD310 door system replaces existing car doors with QKS9 C operators with crank arm, belt or chain driven

STANDARD DIMENSIONS				
BKE	800	900	1000	1100
HKE	1900	2000	2100	

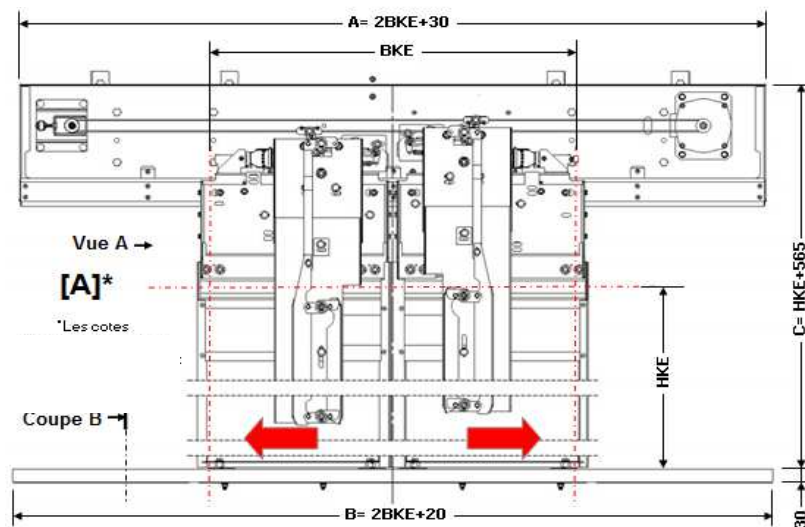
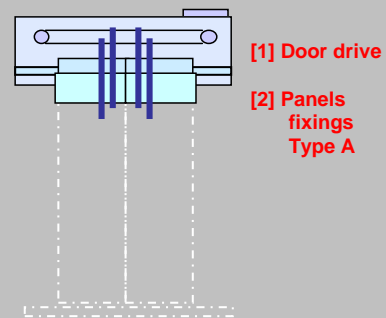
NON STANDARD DIMENSIONS *			
BKE	1200	1300	1400
HKE	2200	2300	2400

* please consult us

A Complete renovation



B Partial renovation



Ets Henri Peignen
 269, rue du Maréchal-Juin
 BP N°504 VAUX-LE-PENIL
 F.77015 MELUN CEDEX - France
 tel : 33 (0) 1 60 56 61 00
 fax : 33 (0) 1 60 56 61 01



commercial@fr.fermator.com